

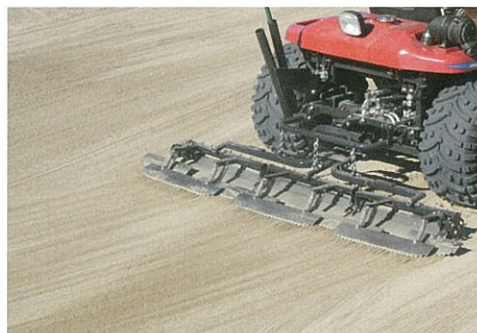
SP05

LM Series GM Series Maintenance Equipment

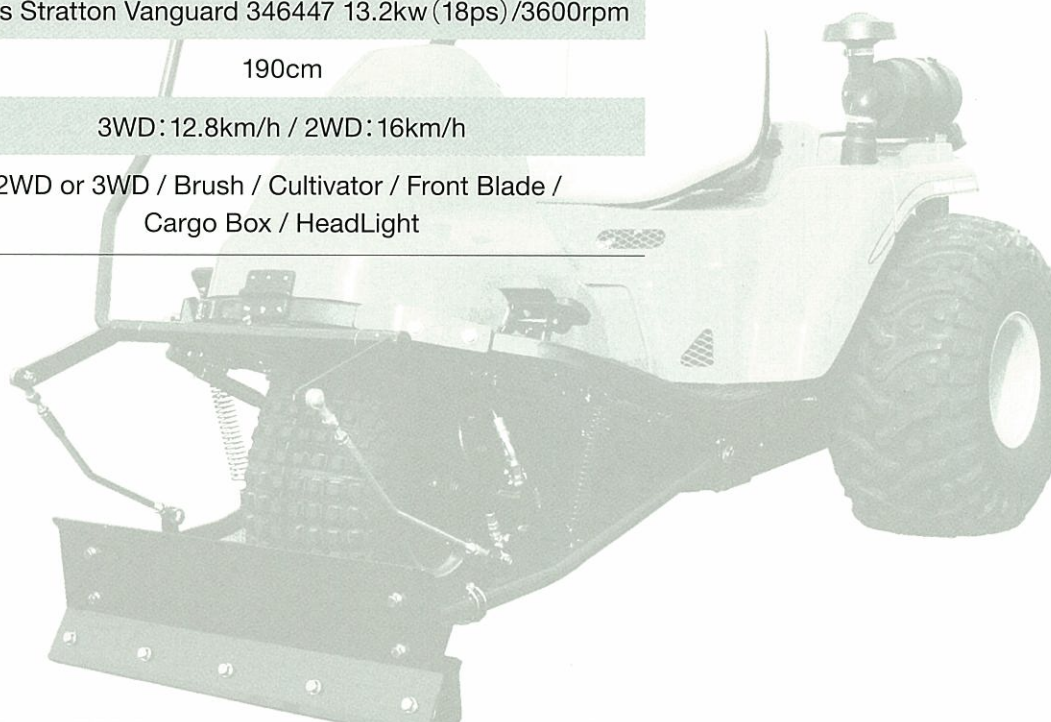


SP05 is designed to adapt to all kinds of bunker conditions with power steering, switchable 2WD/3WD drive, low centre of gravity and its side-to-side and up-and-down moving rake.

The power steering reduces operator fatigue, the cultivator can be locked in a moment at the desired depth and the rake is designed to even out all bunkers, swinging smoothly with a low fulcrum.



Specifications	SP05
Length	215cm
Width	138cm
Height	120cm
Total Weight	457kg
Engine	Briggs Stratton Vanguard 346447 13.2kw (18ps) /3600rpm
Working Width	190cm
Speed	3WD: 12.8km/h / 2WD: 16km/h
Optional	2WD or 3WD / Brush / Cultivator / Front Blade / Cargo Box / HeadLight



KYOEISHA CO.,LTD

1-26 Miyuki-cho, Toyokawa-city, Aich-pref, 442-8530 JAPAN
TEL +81-533-84-1390 FAX +81-533-89-3623